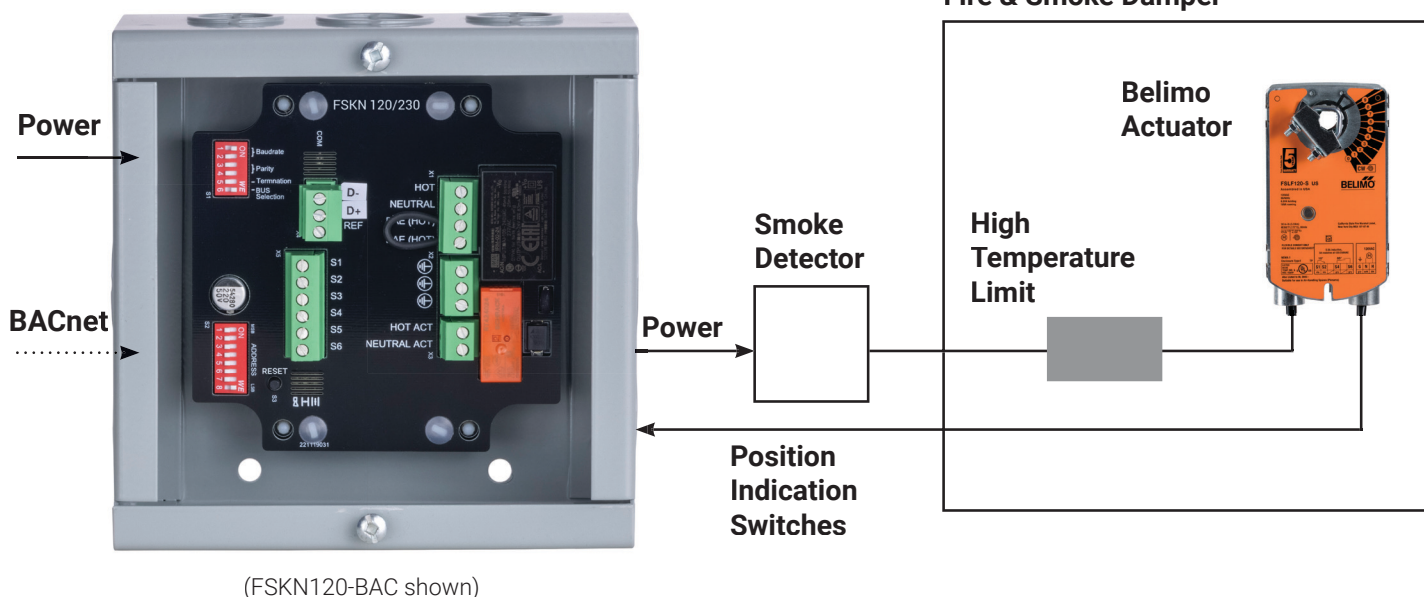


FSKN, BACnet life safety damper remote testing module

FSKN24-BAC AC / DC 24 V
FSKN120-BAC AC 120 / 230 V



The FSKN remote inspection module allows code required testing of actuated life safety dampers without difficult costly visual inspections.

- Remote life safety damper testing is approved by NFPA 80 & NFPA 105¹
- BACnet Testing Laboratory approved
- UL 60730

The FSKN remote module initiates damper cycling and verifies damper position to ensure proper operation. It connects seamlessly to Fire Alarm panels or Building Automation Systems using BACnet or Modbus communication protocols, provides efficiency with testing dampers, and complies with code requirements ensuring proper damper operation.

- Inspection of inaccessible dampers.
- Reduction in deferred testing and maintenance with automatic testing and generation of inspection reports.
- Frequent testing is achievable instead of every 4 or 6 years at low cost.

The FSKN technical documentation is available online; the datasheets, application guide, installation instructions, and BACnet & Modbus programming information are available.

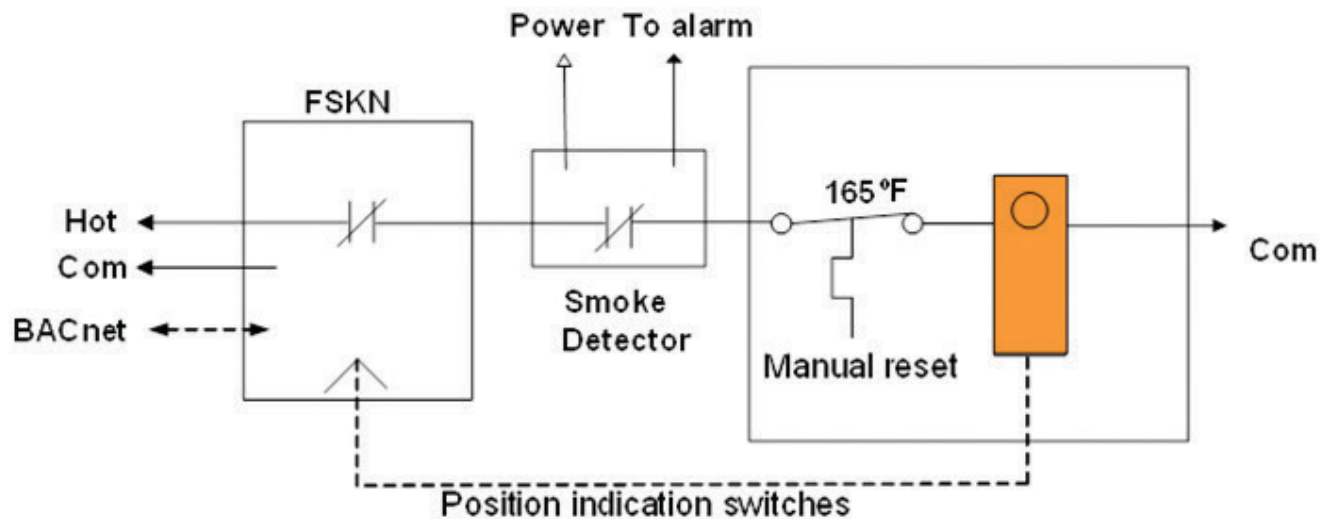
¹ In some jurisdictions a certified technician may be required to witness the remote test.

Efficient damper operation testing to help comply with code requirements

Sequence of Operation

The FSKN opens its normally closed relay contact upon the command to test. The damper springs close. The position indication switches verify correct open and closed positions. The FSKN then recloses its contact, and a Pass or Fail message is available for the BACnet controller to read.

The smoke detector and/or high temperature limit are always in the circuit and are never bypassed.



FSKN cannot be used in smoke control systems; it is not UL 864 UUKL listed.

Building and Fire Codes require building owners to periodically test fire and smoke dampers.

- Containment dampers every 4 years in commercial buildings, 6 years in hospitals
- Smoke control system dampers non-dedicated every year, dedicated every six months

Belimo Americas

USA, Latin America, and the Caribbean: www.belimo.us
 Canada: www.belimo.ca, Brazil: www.belimo.com.br

